

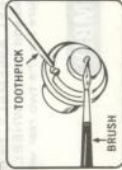
1930 PACKARD VICTORIA



PRINTED IN ENGLAND

From its 'V' radiator shell to its long hood and flush folding top, the 1930 Packard Dietrich was a car which any man might covet. Inside, a 4 speed synchromesh transmission on the famous Packard 8 chassis made this automobile among the finest seen on American roads. The Dietrich was a truly remarkable synthesis of technically conservative styling in the tradition of the Rolls Royce and it had stunningly powerful road performances which allowed it to attain speeds approaching 100 mph. Many automobile critics rate the '31 Dietrich as the high water mark among Packards.

GET YOUR TOOLS READY:



REMOVE PART WHEN CALLED FOR

HELPFUL MODELING HINTS

1. Fit parts together before cementing.
2. Trim away excess plastic.
3. Use cement sparingly; too much will damage your model.

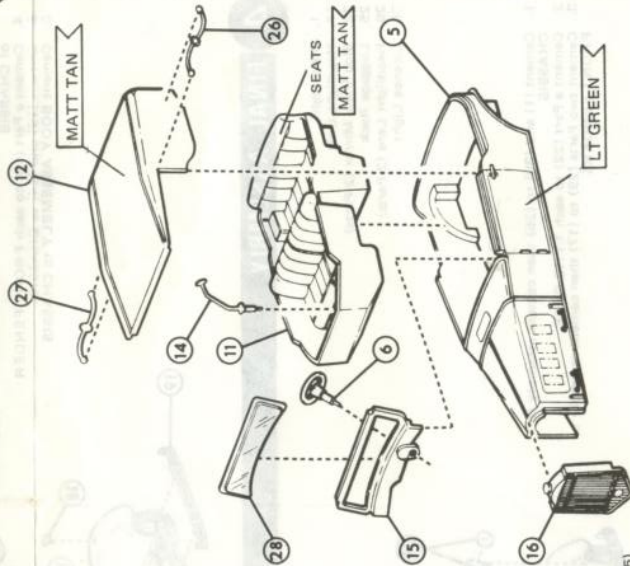
IF YOU WISH TO STOP AT ANY POINT DURING THE CONSTRUCTION OF YOUR MODEL, DO SO AT THE END OF AN ASSEMBLY STEP.

1 BODY ASSEMBLY

5. Body Shell
6. Steering Wheel
11. Seat Compartment
12. Roof
14. Gear Lever
15. Windshield Frame
16. Radiator
26. Landau Iron (LH)
27. Landau Iron (RH)
28. Windshield

MATT TAN

Mix (1) part ME10/34 MATT WHITE with (1) part ME24/26 KHAKI



1. Carefully apply cement to edges of (28) and fit to (15)
2. Cement (6) to (15) then cement assembly to (5).
3. Cement (14) to (11) then cement assembly to (5).
4. Cement (26) and (27) to (12) then cement ROOF to BODY
5. Cement (16) to (5)

2 WHEEL AND SUSPENSION ASSEMBLY

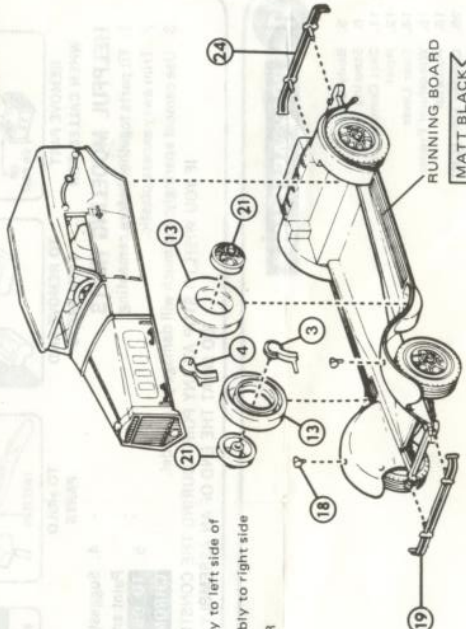
2. Chassis
7. Front Axle Unit
8. Front Spring (2 Parts)
9. Differential
10. Rear Spring (2 Parts)
20. Wheel (4 Parts)
23. Crankcase
- Tyre (2 Parts)
- Axle (2 Parts)



1. Cement two Parts (8) to (7) then cement assembly to (2)
2. Cement two Parts (10) to (9) then cement assembly to (2)
3. Cement (23) to (2)
4. Press a TYRE on each Part (20)
5. Press an AXLE into a WHEEL ASSEMBLY, fit through bearing holes in FRONT AXLE and add second WHEEL ASSEMBLY to the other end. Repeat procedure for the two rear wheels.

3 CHASSIS ASSEMBLY

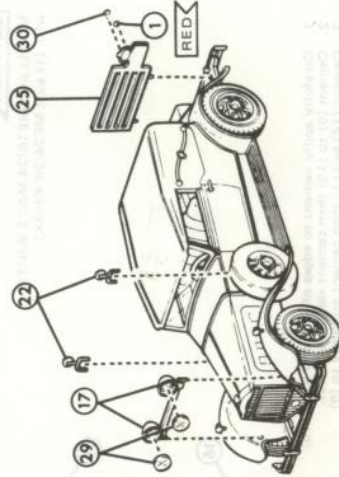
3. Spare Tyre Mount (RH)
4. Spare Tyre Mount (LH)
13. Tyre Case (2 Parts)
18. Fender Light (2 Parts)
19. Front Bumper
21. Wheel (2 Parts)
24. Rear Bumper



1. Cement a Part (21) into each Part (13)
2. Cement (4) to a WHEEL and cement assembly to left side of CHASSIS
3. Cement (3) to other wheel and cement assembly to right side of CHASSIS
4. Cement a Part (18) to each FRONT FENDER
5. Cement (19) and (24) to CHASSIS
6. Cement BODY ASSEMBLY to CHASSIS

4 FINAL ASSEMBLY

1. Stop Light
17. Headlight Unit
22. Side View Mirror (2 Parts)
25. Luggage Rack
29. Headlight Lens (2 Parts)
30. Licence Light



1. Cement (1) and (30) to (25) then cement assembly to CHASSIS
2. Cement a Part (22) to each TYRE CASE
3. Cement two Parts (29) to (17) then cement assembly to FRONT FENDERS