


STAR WARS **AI-SI™**

mpe
ERTL

Stock No. 8734

SCOUT TRANSPORT
ALL TERRAIN

Form No. 099 - 8734



STAR WARS®
© TM & © 1982, 1990 Lucasfilm Ltd.
All rights reserved. Used under
license from Lucasfilm Ltd.
Printed in the U.S.A.

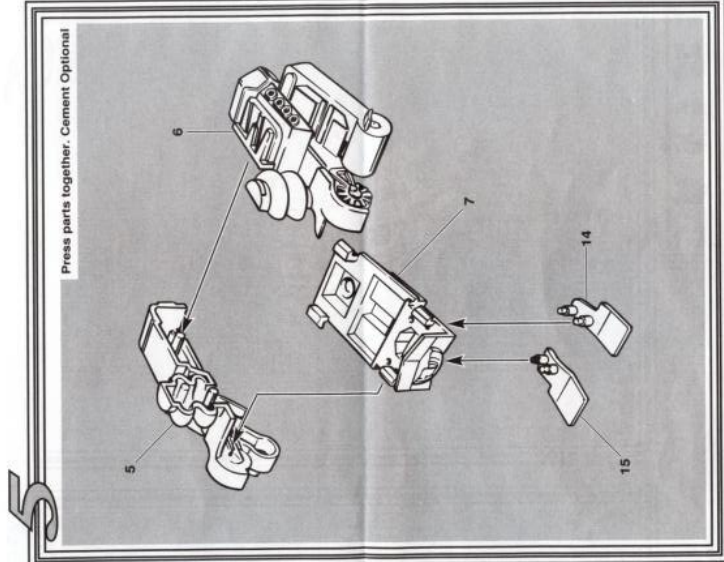
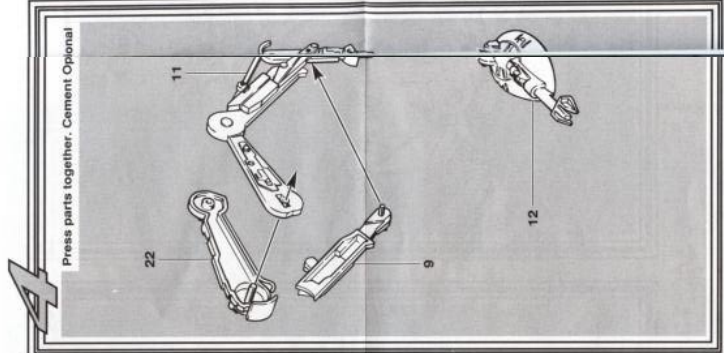
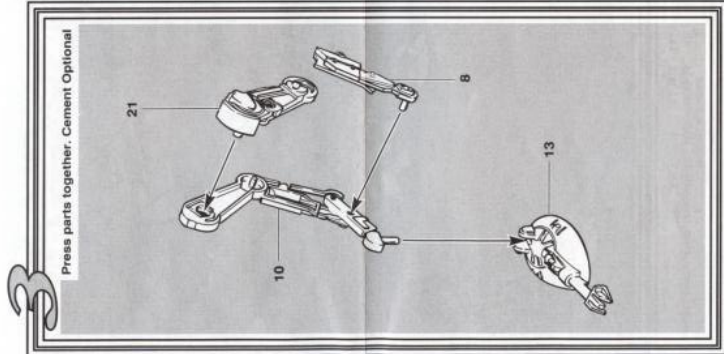
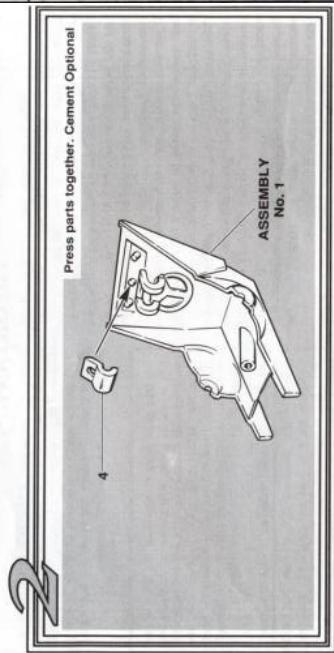
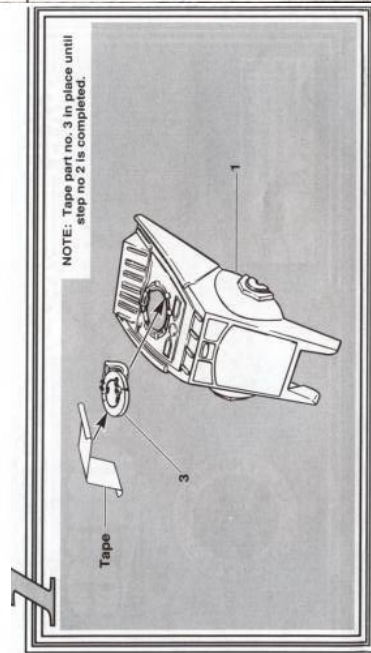
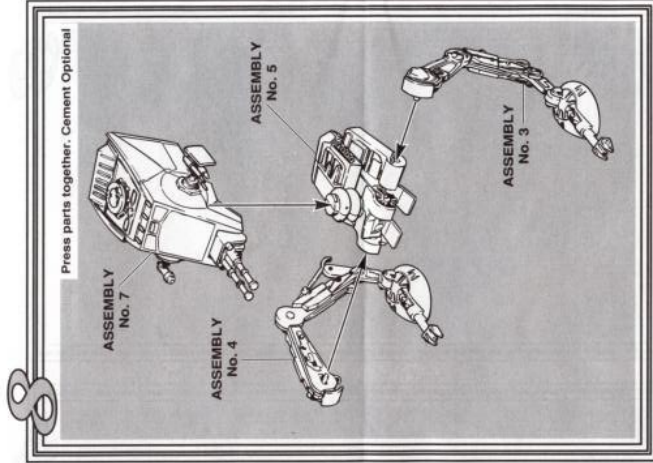
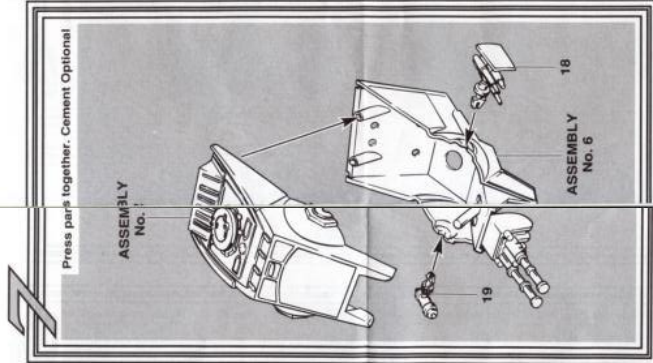
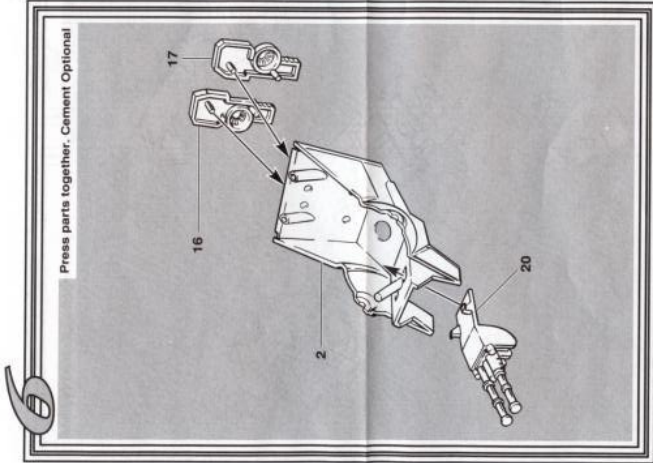
IMPORTANT

Before you begin to assemble your model kit, study the instructions carefully. This will help you to familiarize yourself with the part locations as you proceed. Prior to cementing parts together, be sure to "TEST FIT" them in order to assure proper alignment and also to check for excess "FLASH" that may occur along parting lines. Use a sharp hobby knife or file to remove flash if necessary.

If you wish to paint your model, various sub-assemblies and components should be painted before any parts are attached. Paint to match the box photo. This model kit is molded from the finest high-impact styrene plastic. Use only paints and cements which are specifically formulated for styrene. Read all labels and warnings carefully.

Because the cement will only adhere to bare plastic, it is necessary to remove any paint or "plating" from the area to which the cement is to be applied. Use a sharp hobby knife to remove parts from the

We take great pride in providing the finest model kits available, giving strong attention to detail and craftsmanship. Should you have any difficulty with assembly or missing parts, please call the appropriate number listed below between the hours of 9:00 am to 4:30 pm central time, Monday through Friday, U.S.A. call toll free 1-800-853-4886. Outside of the United States call 1-319-875-2800. When in the Midwest, please visit the ERTL Company for a tour of our production facilities, 11am & 1pm weekdays. Reservations suggested.



The ERTL COMPANY, Inc.
P.O. Box 100
Perryville, Iowa 52040 - 0500
Printed in the U.S.A.

Highways 136 & 20