

# mpc STAR WARS ANDROID ASSEMBLY MANUAL

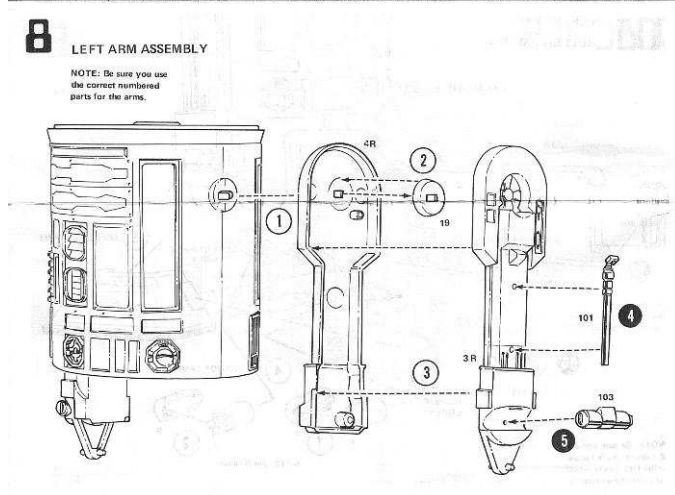
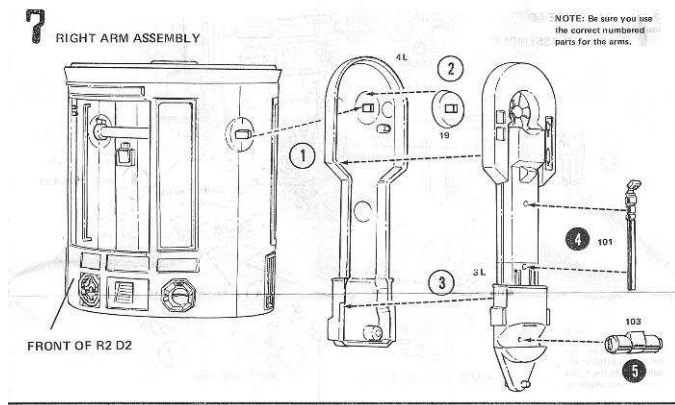
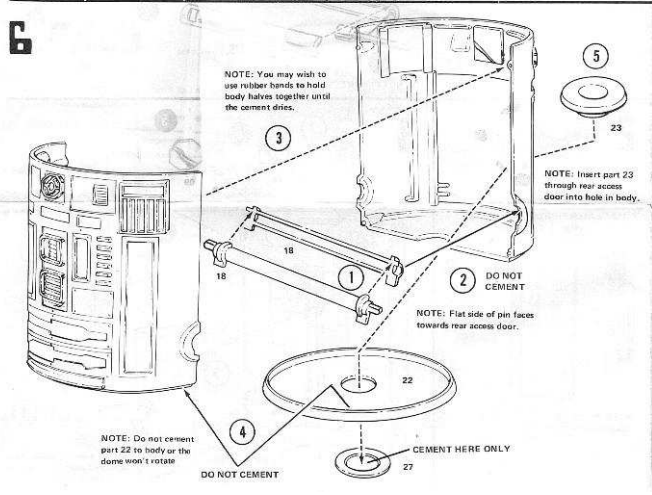
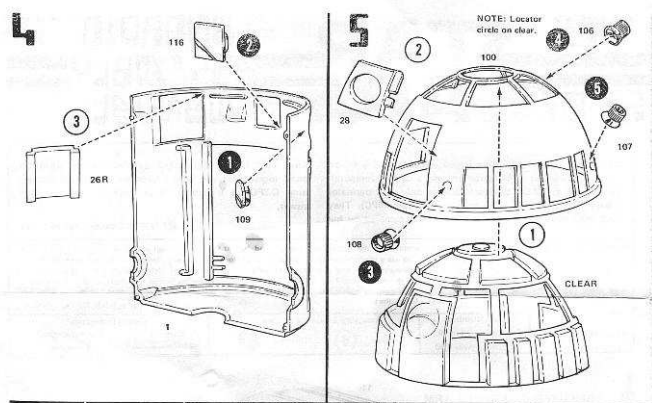
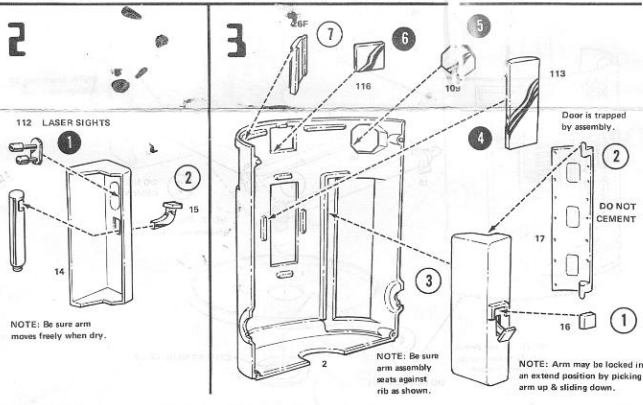
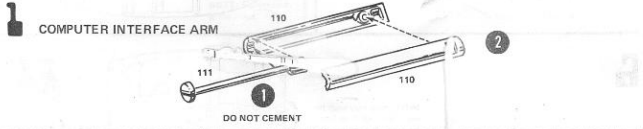
R2 78-1912-250

R2-D2 is a cylindrical, three legged, rotating domed robot. His main function is computations. As a mobile computer, droids such as R2-D2 can communicate only with translator robots such as C-3PO (a companion kit from MPC). They send electronic sounds, which cannot be deciphered by humans. That is why droids and translator robots are often found together. If you have a question you cannot answer, using C-3PO as a middle "man", R2-D2 will have the answer.

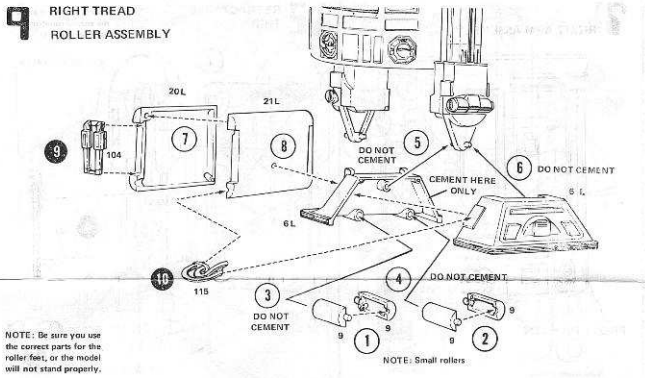
© 1977 20th Century Fox Film Corp.

**IMPORTANT INSTRUCTIONS:** Before beginning assembly read the instructions through, and test fit the parts without cementing. This will familiarize you with the location of parts, eliminating errors. It is best to use a modeler's knife for removing parts from the "runners", instead of twisting them off. Trim off excess plastic on "Flap", and scrape plating from chrome parts when they join other parts before cementing. MPC models are made of the highest quality styrene plastic, so only paint and correct grade for styrene should be used. To join parts, use cement sparingly, being careful not to get cement on exposed air faces. Apply cement with a toothpick to small parts. When painting the model, it is easier to cement all non-chrome parts and paint the whole unit at one time. You should have no trouble assembling your kit if you follow the instructions.

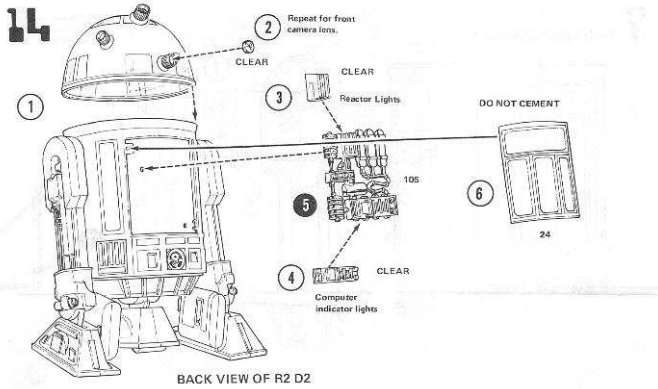
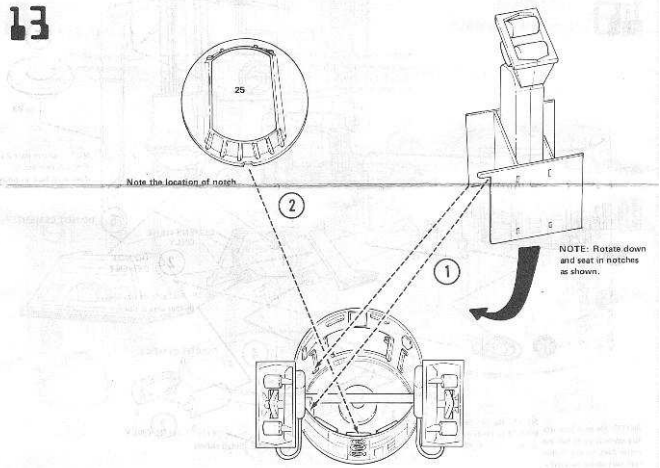
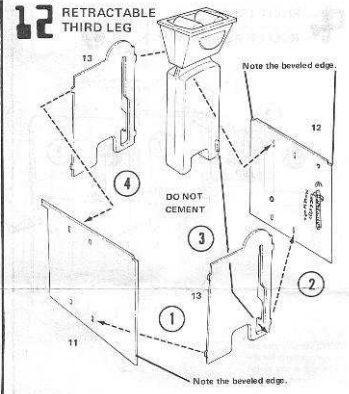
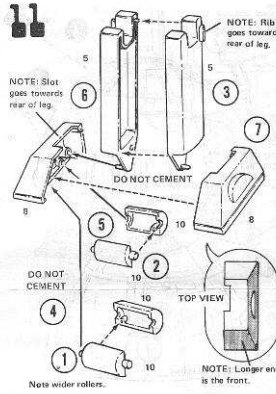
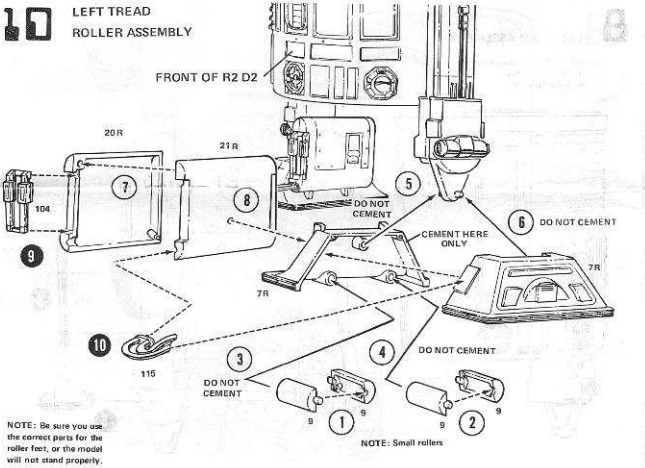
ASSEMBLY GUIDE	Part Numbers		Assembly Sequence Numbers		Gluing Instructions	
	Colored	1 to 99	Colored	9	Cement	Do not cement
	Chrome	over 100				



### 9 RIGHT TREAD ROLLER ASSEMBLY



### 10 LEFT TREAD ROLLER ASSEMBLY



## DECALS

